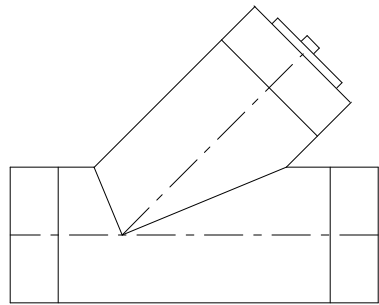


45 deg Lateral with Cleanout Position 2



45 deg Lateral with Cleanout Position 3

Size	A	B	X	Weight	Weight With Cleanout
(in)	(in)	(in)	(in)	(lbs)	(lbs)
4"	9	4	2	6.0	9.1
6"	12	6	3	9.1	12.4
8"	16	7	3	13.7	18.8
10"	19	9	3	19.3	24.4
12"	24	12	3	27.2	32.3
14"	32	16	4	43.1	48.2
16"	36	18	4	74.3	79.4
18"	36	14	5	113.5	118.6
20"	38	16	5	141.2	146.3
24"	42	18	5	196.5	201.6

6" Cleanout Standard  
 except 4" on 6" Diameter  
 3" on 4" Diameter

Drawn by:  
 Rusty Fortner

Checked by:

Drawing Date: 11/17/09

Revised Date / #:



## FRP BRIDGE DRAIN PIPE

Manufactured by Grace Composite  
 Lonoke, AR 501-676-9505

Marketed by Westfall Company, Inc.  
 Eureka, MO 636-938-6313

Title:

45° Lateral

Bridge Drain Fittings